

## RECOMMENDED FOR USE IN:

Carriageways carrying continuous heavy traffic where control or reduction of surface water ingress or the egress of odours is required.

The Inter-Ax seal capable range combines a proven double triangular cover design and enhanced frame durability features with additional functionality to limit the ingress of surface water and the egress of odours offering a versatile solution with long term performance in a wide spectrum of applications.



### DURABILITY

Includes the Load Transfer System (LTS) for optimum installation and product durability.



### PERFORMANCE

Three point suspension ensures non-rock and silent in operation performance.



### ACCREDITATION

Third party certified by BSI and kite marked to the requirements of BS EN 124. Compliant to the requirements of Highways England advice note HA104/09 the same as Opt-Emax.



### REDUCED EGRESS OF ODOURS

Ideally suited for use on foul water chambers as the egress of odours is significantly reduced due to the presence of the push fit or bolt down seal plate option.



### ROAD SAFETY

Exceeds the requirements as stated within paragraph 3.4 of Chapter 3: Design Considerations for Chamber Tops within HA104/09. The PSRV has been independently verified in accordance with the requirements and methodology stated within BS9124.



### REDUCED INFILTRATION

The seal feature significantly reduces the ingress of surface water.

INTER-AX D400 SEAL CAPABLE ACCESS COVER RANGE	ISSUE NO:	SGPUK029	DATE:	01.2019
---	-----------	----------	-------	---------

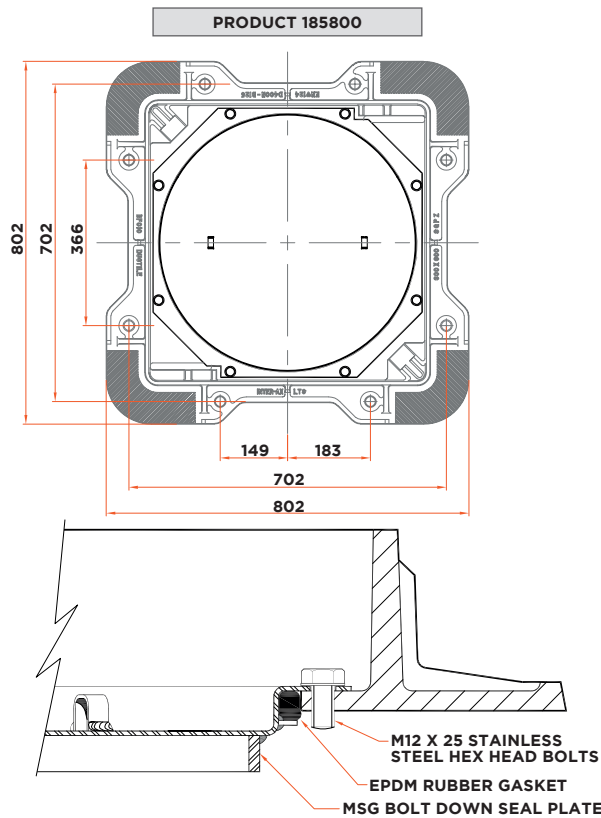
Manufactured in the UK to the highest Quality, Environmental and Health and Safety standards.

# PRODUCT DATASHEET

## INTER-AX SEAL CAPABLE

SAP CODE	SAP CODE WITH SECURITY	SEAL PLATE TYPE	CLEAR OPENING AXB (MM)	OVER BASE CXD (MM)	DEPTH E (MM)	COVER MASS (KG)*	TOTAL MASS (KG)	PALLET QUANTITY	INTERNAL REF
185800	185802	Bolt down MSG	600 Dia	802x802	100	50	85	10	BC10 1/AG
185910		Push fit GRP	600x600	817x768	100	58	93	14	BE06 1
206826		Push fit GRP	675 Dia	830x856	100	70	108	14	BC26 1
185925	208323	Push fit GRP	750x600	960x820	100	75	111	5	BE38 1

\* Cover mass per pair of loosely coupled cover sections

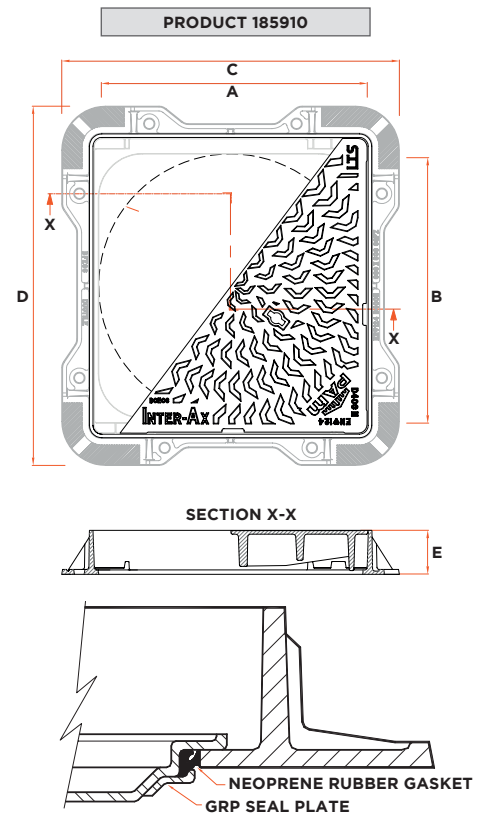


### Bolt Down MSG Seal Plates

Product code 185800 is complete with a bolt down MSG seal plate that is capable of withstanding 0.5 bar pressure. It is recommended that the frame is bolted to the chamber below. Please note that MSG bolt down seal plates cannot be fitted retrospectively

A replacement EPDM gasket is available, SAP code 187115

For information relating to other options within the Inter-Ax, Inter-Ax 2 and Inter-Ax sealed range of D400 access covers please refer to product datasheets SGPUK008, SCPUK009 and SGPUK021



### Push-Fit Seal Plates

Push fit GRP seal plates are not suitable for applications subjected to pressure. Seal plates are ordered separately as detailed in the table below:

ACCESS COVER SAP CODE	SEAL PLATE SAP CODE
185910	187079
185925	187078
208323	

The information on this sketch is, to the best of our knowledge correct at the time of printing. However Saint-Gobain are constantly looking at ways of improving their products and services therefore reserve the right to change without prior notice, any of the data shown. Any orders placed will be subject to our Standard Conditions of Sale, available on request. COPYRIGHT AND DESIGN RIGHT

This drawing is the exclusive property of Saint-Gobain PAM UK and is confidential and must not be reproduced or disclosed for any third party without written consent. It must be used only for the purpose for which it has been issued and is returnable on request.