



## ACCESS COVER - LOCKING OPTIONS

# Access Cover product selector matrix

Access covers	Loading class	Applications						Skid resistance			Installplus	Health and safety			Locking options		Seal capable			Ventilation
														Traditional lift-out						
Briton	F900	✓	✓	✓	✓			✓		✓					✓					
Briton	E600		✓	✓	✓			✓		✓					✓					
Briton GripTop	E600		✓	✓	✓				✓	✓					✓					
Silent Knight	E600		✓	✓	✓					✓	✓				✓					
Opt-Emax	D400N			✓	✓	✓		✓		✓	✓	✓			○	○				
Opt-Emax GripTop	D400N			✓	✓	✓			✓	✓	✓	✓			○	○				
Pamrex	D400N			✓	✓	✓						✓			○	○		✓		
Ult-Emax	D400N			✓	✓	✓		✓		✓	✓		✓		○	✓				
Ult-Emax GripTop	D400N			✓	✓	✓			✓	✓	✓		✓		○	✓				
Inter-Ax D400-H	D400H			✓	✓	✓		✓		✓	✓			✓		○				○
Inter-Ax D400-N	D400N			✓	✓	✓		✓		✓	✓			✓		○				○
Inter-Ax GripTop	D400N			✓	✓	✓			✓	✓	✓			✓		○				○
Inter-Ax D400-N Sealed	D400N			✓	✓	✓		✓		✓	✓			✓		○	✓			
Silent Knight	D400N			✓	✓	✓				✓	✓			✓		○				
Pamtight	D400N			✓	✓	✓								✓	✓	✓	✓			
Valiant	C250-40T				✓	✓	✓	✓				✓			○	○		✓		
Trojan	C250					✓	✓	✓						✓		○	○	✓		
Valiant	B125						✓	✓				✓			○	○		✓		
Rapide	B125						✓	✓				✓								
Ductile Light Duty	B125						✓							✓	○	○	○	✓		
Ductile Light Duty Recessed	B125						✓							✓	○	○	○	✓		
BriPave DI	B125						✓							✓				✓		

Key: ✓ = Standard on product. ○ = Optional extra.



## Ult-Emax range



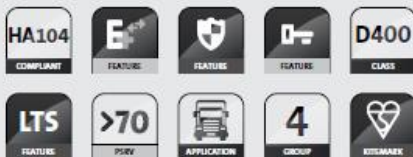
Automatic locking system



Hidden master keyhole



Semi-ergonomic hinging system



Includes a security feature to deter unauthorised access ranging from high security (gold) to lesser locking levels.

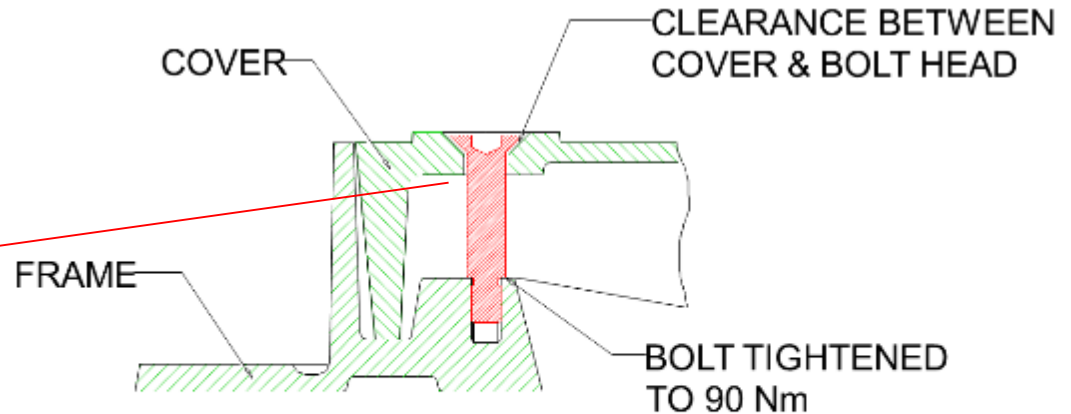
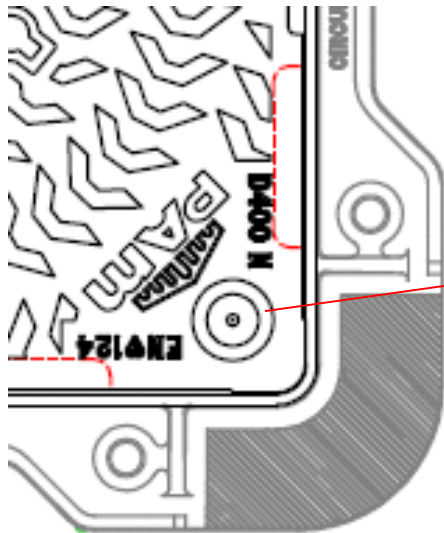


# LOCKING OPTIONS

Bolted Systems - Countersunk hex drive

Commonly used on access covers

Threaded profiled bolt drilled and tapped feature in frame at opposite corners



TYPICAL CROSS SECTION THROUGH INTER-AX UNIT

# LOCKING OPTIONS

19mm M16 bolt operated turnbuckle

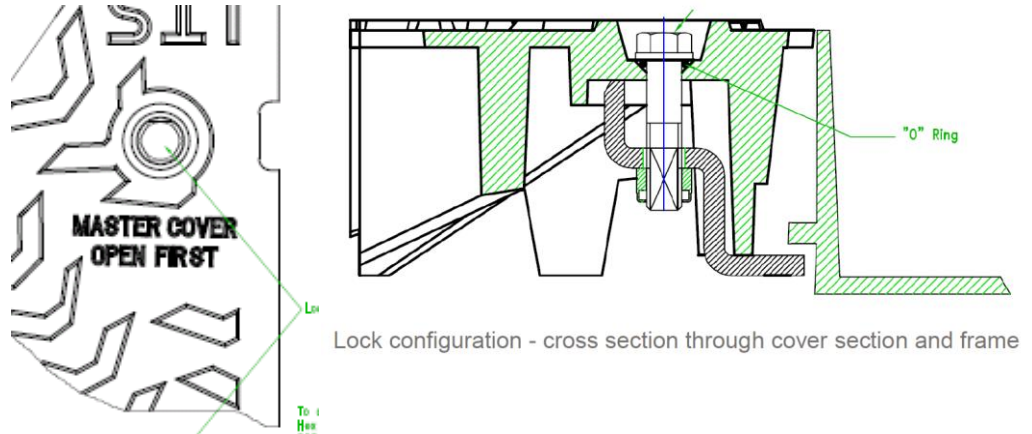
Used on hinged access cover and grating ranges

Located in “master” cover

Only 1 lock required regardless of size

Retrofit capability

Differing head configurations can be used



# LOCKING OPTIONS

Bolt operated Turnbuckle

SCS higher security option which utilizes a special shaped bolt and corresponding sleeved key to rotate the lock

